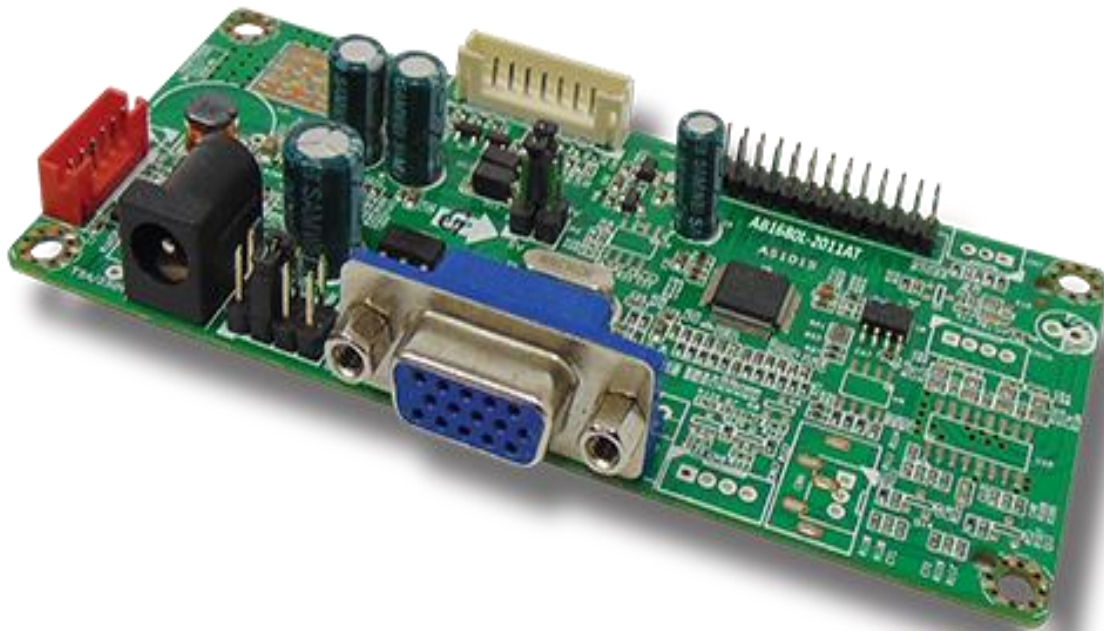




HIGHNESSTM

LCD - AD-CONTROLLER BOARD

Model No. AB1680L-2011AT



Release Date
29th Aug 2019

THIS DOCUMENT CONTAINS PROPRIETARY INFORMATION WHICH IS SOLELY OWNED BY 'HIGHNESS MICROELECTRONICS PVT LTD'. ANY UNAUTHORISED COPY OR PRINTING OR PUBLISHING OF INFORMATION IN THIS DOCUMENT IN PART OR IN COMPLETE IS RESTRICTED.

HIGHNESS MICROELECTRONICS PVT LTD.

Email: sales@highnessmicro.com, URL: www.highnessmicro.com

Index:

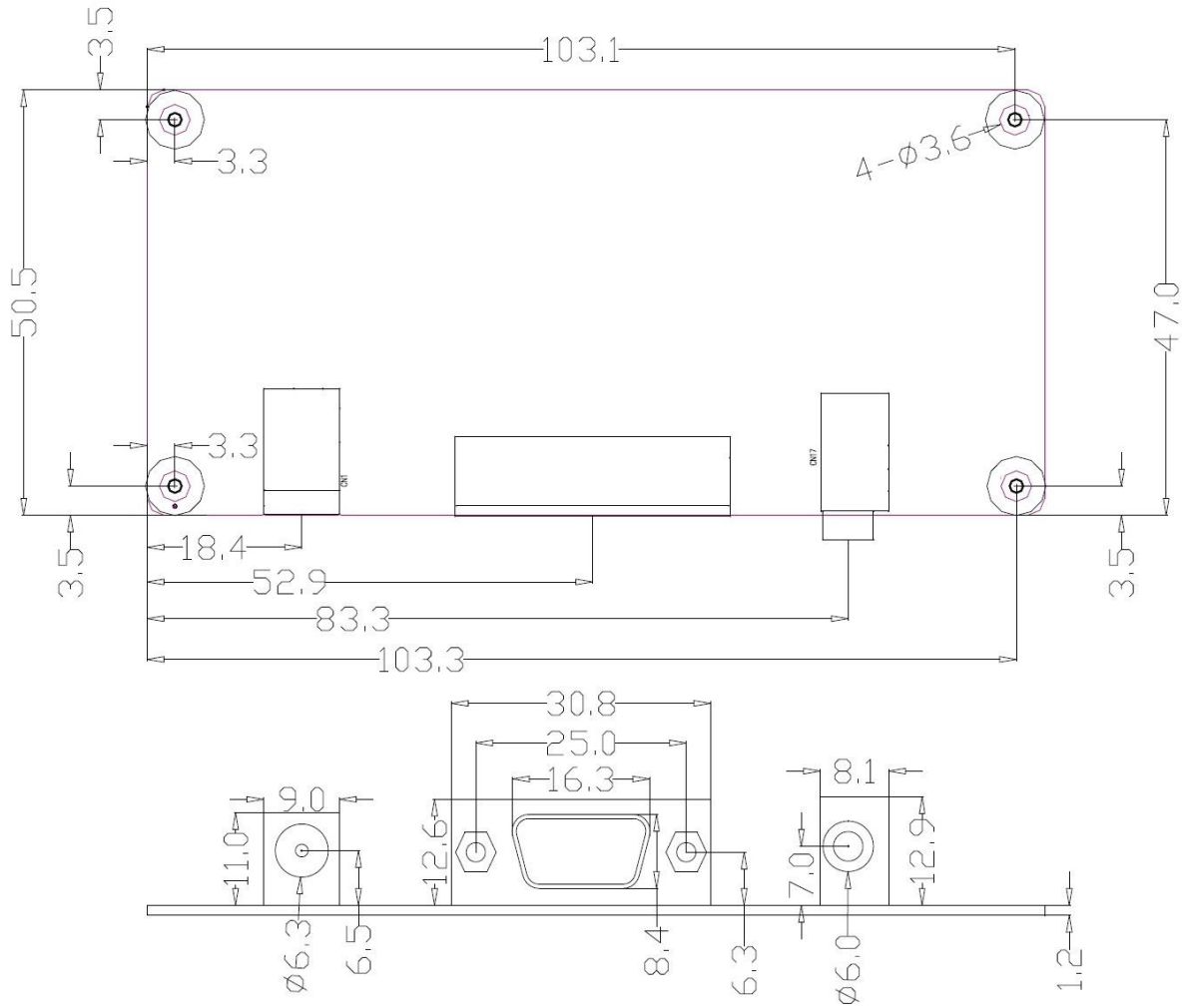
- 1} Specification of Ad-Board.....3
- 2} Dimensions of Ad- Board and OSD.....4
- 3} Picture of Ad-Board and OSD.....5
- 4} Connector & Pin assignment.....6
- 5} Output Connector.....6
- 6} Input Connector.....6
- 7} Inverter Interface Details.....7
- 8} Frequency Details.....7
- 9} Power Selection Jumper.....7

1. Specification:

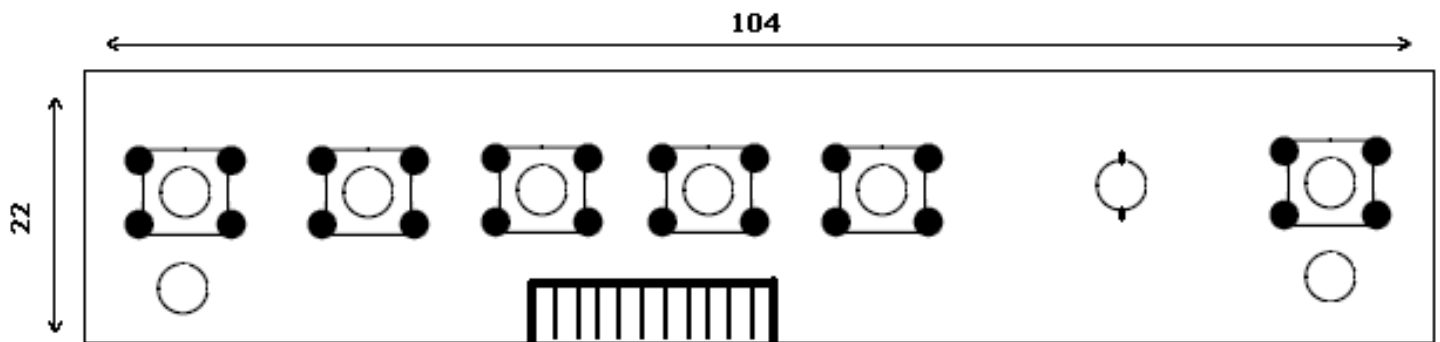
Model No.		AB1680L-2011AT
Chipset		2270
Supported Resolution	RGB	VGA : 640 X 480 / 720 X 400
		SVGA : 800 X 600
		XGA: 1024 X 768
		SXGA: 1280 X 1024
		WXGA: 1680 X 1050
Audio Input	RGB	Earphone input
Power Supply	Power Requirement	Input Power 12V
	To Supply	3.3V, 5V, 12V
	Manage	Low Power Consumable mode: Standby<3W
Key Functions		Auto, Menu, Left, Right, Exit, On/ Off. (Control by Remote Control)
Audio Output		2W (4 OHM)
Terminal Input	RGB Input	1D-SUB 15pin terminal blue color
	RGB Audio input	1 Earphone Terminal Black Color
Technical's Output	To Panel	LVDS 30 PIN 2.0 JACK, TTL (Option)
Output Interface		18 / 24-bit LVDS
Operating Temperature		0 - +40°C
Storage Temperature		-10 - +60°C
Humidity		≤80% (Non-Condensing)
Size		106.4 x 50.5 mm

2. Dimension:

(i) Ad-Board:



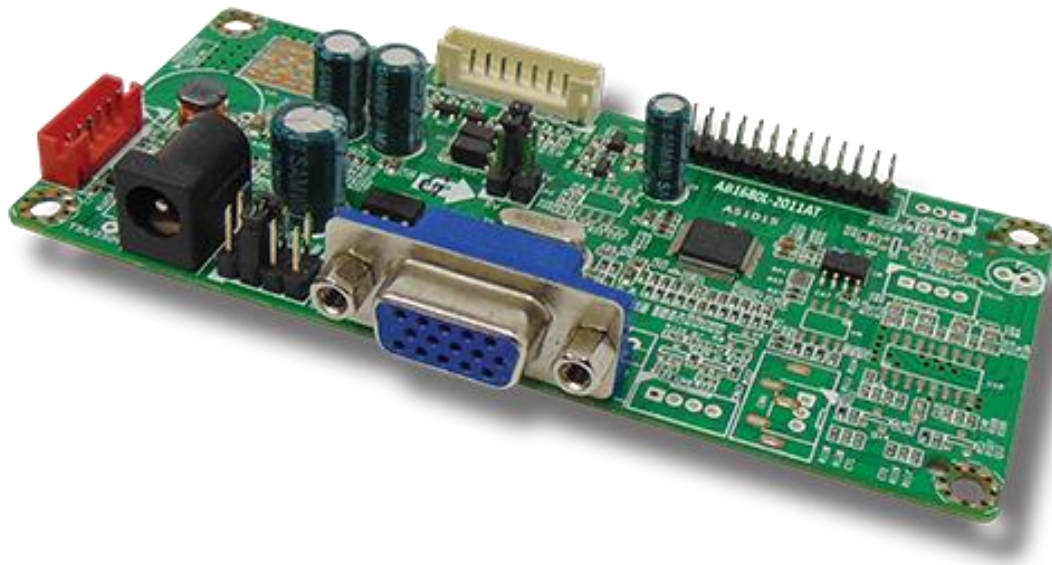
(ii) OSD:



Keypad key indication: CH-,CH+, MENU, VOL-,VOL+ , AUTO , ON-OFF.

3. Ad-Board Picture:

(i) Top View:



(ii) OSD:



4. Connector & Pin assignment:

4.1 Output Connection: (LVDS Connector 2x 15pin Pitch=2.0mm) CN8

Pin	Function	Pin	Function	Pin	Function	Pin	Function
1	LCD PWR	9	ATX 1-	17	ATX3-	25	GND
2	LCD PWR	10	ATX 1+	18	ATX 3+	26	GND
3	LCD PWR	11	ATX 2-	19	BTX0-	27	BTCK-
4	GND	12	ATX 2+	20	BTX0+	28	BTCK +
5	GND	13	GND	21	BTX1-	29	BTX3-
6	GND	14	GND	22	BTX1+	30	BTX3+
7	ATX0-	15	ATCK-	23	BTX2-		
8	ATX0+	16	ATCK +	24	BTX2+		

4.2 Input Interface Details: CN11

(I) VGA Interface Details (15 pin VGA Connector)

Pin	Function	Pin	Function	Pin	Function	Pin	Function
1	Red	5	Ground	9	No Connection	13	Horizontal Sync
2	Green	6	Ground- Red	10	Ground- Sync	14	Vertical Sync
3	Blue	7	Ground- Green	11	No Connection	15	Clock (SCL)
4	No Connection	8	Ground- Blue	12	Data (SDA)		

(II) Speaker Interface Details (Connector 4pin) CN6

Pin	Function	Pin	Function
1	SPK_R-	3	SPK_L+
2	SPK_R+	4	SPK_L-

(III) OSD Interface Details (Connector 10pin):CN10

Pin	Function	Pin	Function
1	EXIT	6	GND
2	MENU	7	LED_G
3	AUTO	8	LED_R
4	LEFT	9	ON/OFF
5	RIGHT	10	NC

(IV) Remote Receiver Interface. (3PIN /2.0) CN 7

Pin	Function	Pin	Function
1	IR	3	IR_VCC
2	GND		

5. Inverter Interface Details (Connector 6 pin):CN3

Pin	Function	Pin	Function
1	GND	4	BK_ON
2	GND	5	+12V
3	BK_ADJ	6	+12V

5.1 UART Interface Details (Connector 4 pin):CN9

Pin	Function	Pin	Function
1	GND	4	RXD
2	TXD	5	5V

6. Supported Resolutions:

640x480
720X400
800x600
1024x768
1280x768
1280x1024
1366X768
1680 X 1050

7. Power Selection Jumpers:

Pin	Function	Pin	Function
1	3.3V	3	5V
2	GND		